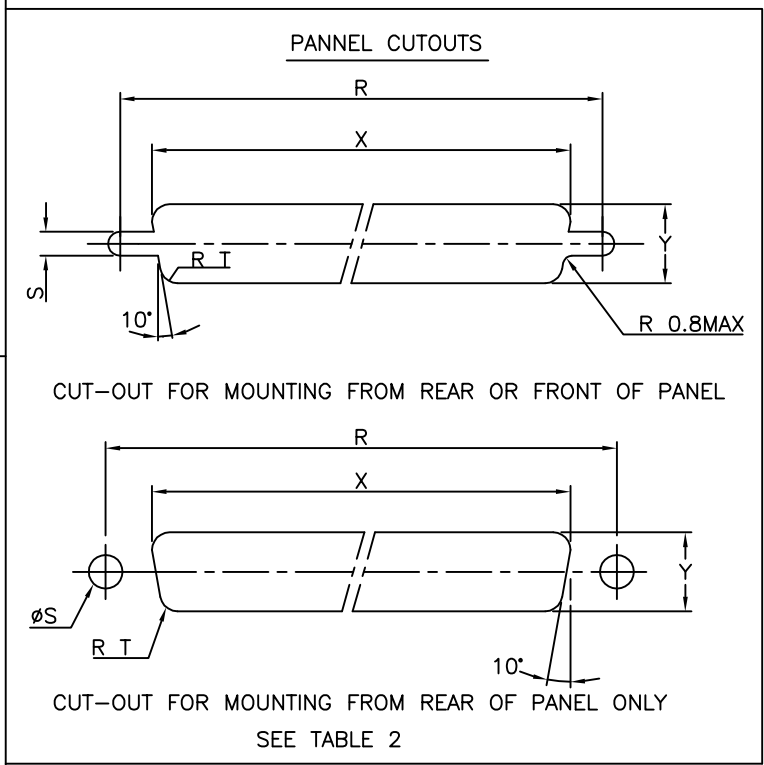
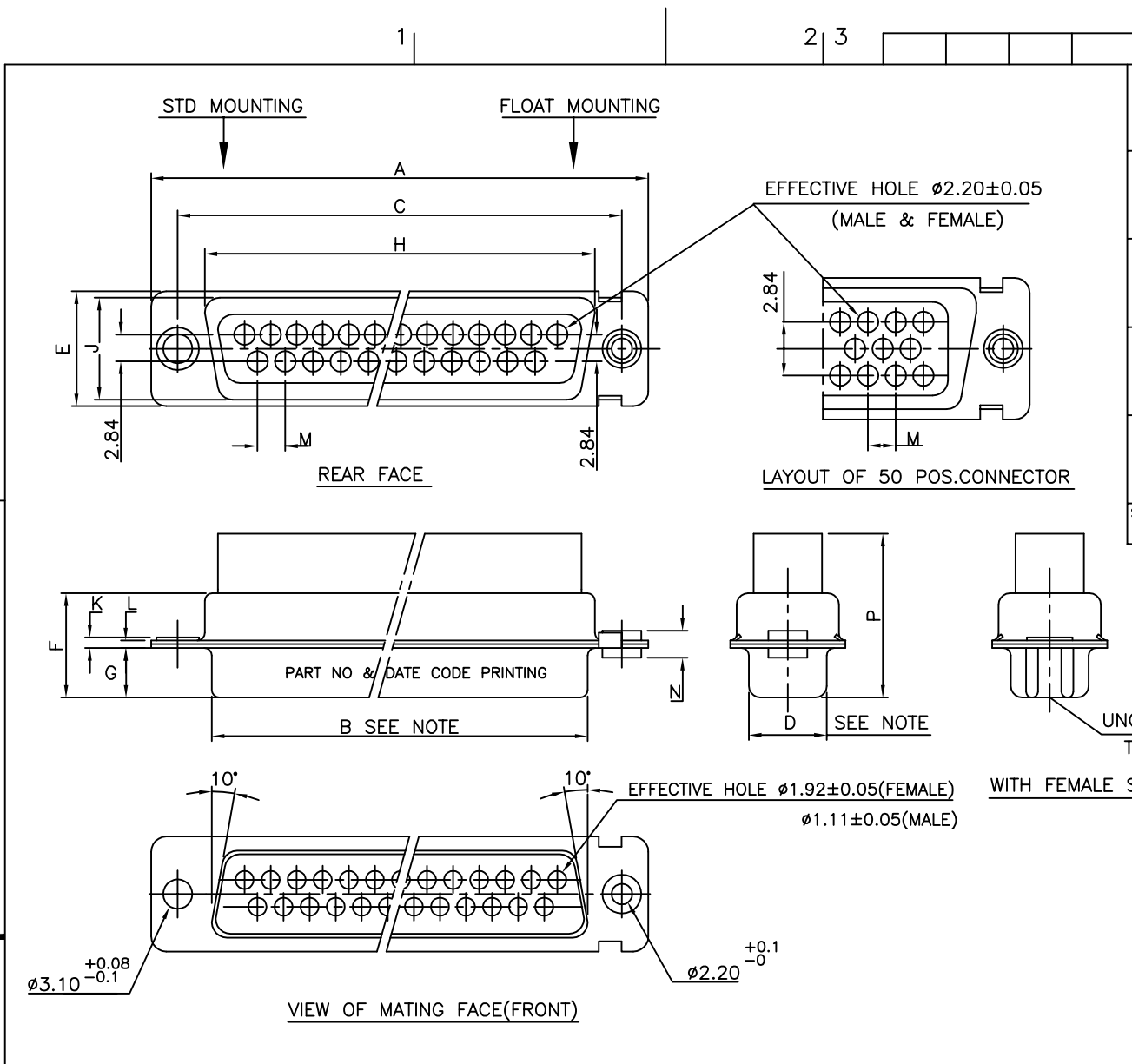




FCIconnect.com

Copyright FCI



SHELL SIZE	TYPE OF MOUNTING	MOUNTING POSITIONS	DIMENSIONS				
			X ± 0.1	Y ± 0.1	R ± 0.1	S ± 0.1	T ± 0.1
50	STD	FRONT	58.30	15.80	61.11	3.20	2.10
	REAR	56.30	14.10	61.11	3.20	3.30	
50	FLOAT	FRONT	59.20	16.60	61.11	2.20	2.10
	REAR	57.20	14.40	61.11	2.20	3.30	
37	STD	FRONT	60.70	13.00	63.50	3.20	2.10
	REAR	59.10	11.40	63.50	3.20	3.30	
37	FLOAT	FRONT	61.50	13.80	63.50	2.20	2.10
	REAR	59.80	12.20	63.50	2.20	3.30	
25	STD	FRONT	44.30	13.00	47.04	3.20	2.10
	REAR	42.50	11.40	47.04	3.20	3.30	
25	FLOAT	FRONT	45.10	13.80	47.04	2.20	2.10
	REAR	43.30	12.20	47.04	2.20	3.30	
15	STD	FRONT	30.50	13.00	33.32	3.20	2.10
	REAR	28.80	11.40	33.32	2.20	3.30	
15	FLOAT	FRONT	29.60	12.20	33.32	2.20	3.30
	REAR	22.20	13.00	24.99	3.20	2.10	
09	STD	FRONT	20.50	11.40	24.99	3.20	3.30
	REAR	21.30	12.20	24.99	2.20	3.30	
09	FLOAT	FRONT	23.00	13.80	24.99	2.20	2.10
	REAR	21.30	12.20	24.99	2.20	3.30	

TABLE 2

SHELL SIZE	TYPE OF MOUNTING	MOUNTING POSITIONS	DIMENSIONS														
			A	B	C	D	E	F	G	H	J	K	L	M	N	P	
50	STD	FRONT	66.65	52.68	61.11	11.08	14.99	11.09	5.85	55.07	13.31	1.50	1.0	2.76	3.05	17.35	
	REAR	66.65	52.30	61.11	10.62	14.99	11.21	6.05	55.07	13.31	1.10	0.8	2.76	2.85	17.44		
50	FLOAT	FRONT	68.94	55.30	63.50	8.23	12.17	11.09	5.85	57.45	10.46	1.50	1.0	2.76	3.05	17.35	
	REAR	68.94	54.71	63.50	7.77	12.17	11.21	6.05	57.45	10.46	1.10	0.8	2.76	2.85	17.44		
37	STD	FRONT	52.65	38.84	47.04	8.23	12.17	11.07	5.85	41.02	10.46	1.10	0.8	2.76	2.85	17.35	
	REAR	52.65	38.25	47.04	7.77	12.17	11.21	6.05	41.02	10.46	1.10	0.8	2.76	2.85	17.44		
37	FLOAT	FRONT	38.76	25.12	33.32	8.23	12.17	10.99	5.85	27.25	10.46	1.10	0.8	2.74	2.85	17.35	
	REAR	38.76	24.54	33.32	7.77	12.17	11.21	6.05	27.25	10.46	1.10	0.8	2.74	2.85	17.44		
25	STD	FRONT	30.43	16.79	24.99	8.23	12.17	10.99	5.85	19.02	10.46	1.10	0.8	2.74	2.85	17.35	
	REAR	30.43	16.21	24.99	7.77	12.17	11.21	6.05	19.02	10.46	1.10	0.8	2.74	2.85	17.44		
25	FLOAT	FRONT	30.43	16.21	24.99	7.77	12.17	11.21	6.05	19.02	10.46	1.10	0.8	2.74	2.85	17.35	
	REAR	30.43	16.21	24.99	7.77	12.17	11.21	6.05	19.02	10.46	1.10	0.8	2.74	2.85	17.44		
15	STD	FRONT	30.43	16.21	24.99	7.77	12.17	11.21	6.05	19.02	10.46	1.10	0.8	2.74	2.85	17.35	
	REAR	30.43	16.21	24.99	7.77	12.17	11.21	6.05	19.02	10.46	1.10	0.8	2.74	2.85	17.44		
15	FLOAT	FRONT	30.43	16.21	24.99	7.77	12.17	11.21	6.05	19.02	10.46	1.10	0.8	2.74	2.85	17.35	
	REAR	30.43	16.21	24.99	7.77	12.17	11.21	6.05	19.02	10.46	1.10	0.8	2.74	2.85	17.44		
09	STD	FRONT	30.43	16.21	24.99	7.77	12.17	11.21	6.05	19.02	10.46	1.10	0.8	2.74	2.85	17.35	
	REAR	30.43	16.21	24.99	7.77	12.17	11.21	6.05	19.02	10.46	1.10	0.8	2.74	2.85	17.44		
09	FLOAT	FRONT	30.43	16.21	24.99	7.77	12.17	11.21	6.05	19.02	10.46	1.10	0.8	2.74	2.85	17.35	
	REAR	30.43	16.21	24.99	7.77	12.17	11.21	6.05	19.02	10.46	1.10	0.8	2.74	2.85	17.44		

NOTE:-INSIDE DIM. OF MALE AND OUTSIDE DIM. OF THE FEMALE CONNECTOR.

ORDERING INFORMATION

SERIES: 8656 O 25 P L H T X XXX LF

LEAD FREE SPECIAL CODES

OPTIONS-1

- BLANK-STANDARD MOUNTING
- O-CLINCH NUT (UNC)
- L-CLINCH NUT (M3)
- V-FEM. SCREW LOCK HEX. (UNC)
- W-RIVETED FEM. SCREW LOCK ROUND UNC
- N-THREADED FEM. SCREW LOCK M3
- F-FLOAT MOUNTING

NO.OF CONTACTS: 09,15,25,37,50

CONTACTS: P - PIN, S - SOCKET

OPTIONS-2

- BLANK-STD. W/O ACCESSORIES
- H-SHIELDING TERMINATION FINGERS

OPTIONAL: L-SUPPLIED W/O CONTACTS (OBLIGATORY)

TECHNICAL SPECIFICATIONS

SHELLS	: TIN/CADMIUM/ZINC PLATED STEEL
INSULATOR MATERIAL	: SELF EXTINGUISHING THERMOPLASTIC- TO UL CLASS 94 V0
	THE HOUSING WILL WITHSTAND EXPOSURE TO 260-265°C IF WE USE PROTECTIVE ADHESIVE (type Kapton or Teflon) OR PROTECTIVE METALLIC DEVICE
CONTACTS DIA ON ACTIVE AREA	: $\phi 1$ MM.
CONTACTS MATERIAL	: COPPER ALLOY
CONTACT PLATING	: GOLD OVER NICKEL (ACTIVE ZONE)
	: TIN OVER NICKEL (TERMINATION ZONE)
FOR LEAD FREE PLATING	: 2 μ MIN.MATTE TIN TOP OVER
	: 1.27 μ MIN.NICKEL UNDER PLATE(ON TERMINATION ZONE)
OPERATING TEMPERATURE	: -55°C TO +125°C
OPERATING CURRENT	: 5 A PER CONTACT
CONTACT RESISTANCE	: $\leq 10m\Omega$
INSULATION RESISTANCE	: $> 5000 M\Omega$ IN AMBIENT CONDITIONS.
MAXIMUM VOLTAGE	: 1000 V.r.m.s
MECHANICAL ENDURANCE	: 200 MATINGS (Au FLASH)
DAMP HEAT	: 21 DAYS
WIRE SIZE	: AWG 20/24 OR AWG 24/28
CONTACTS	: CRIMP REMOVABLE
MAX DIA OF WIRE	: 1.52mm (AWG 20/24) 1.02mm (AWG 24/28)

"This LF product meets European Union Directives and other country regulations as described in GS-22-008"

Packaging as per GS-14-920

mat'l. code		surface		tolerance		projection		product family	
		ISO 1302 <input checked="" type="checkbox"/>		ISO 406 ISO 1101				D-SUB CRIMP CONNECTOR	
ltr ecn no dr date		tolerances unless otherwise specified		angles linear		MM		title	
E 106-0074 GVJ 2006/06/08								C-DSUB-0071	
sheet index		revision sheet		E 1		scale -		type Product Customer Drawing	
						FCI		sheet 1 of 1 size A3	
								sheet 1 of 1 size A3	
								type Product Customer Drawing	